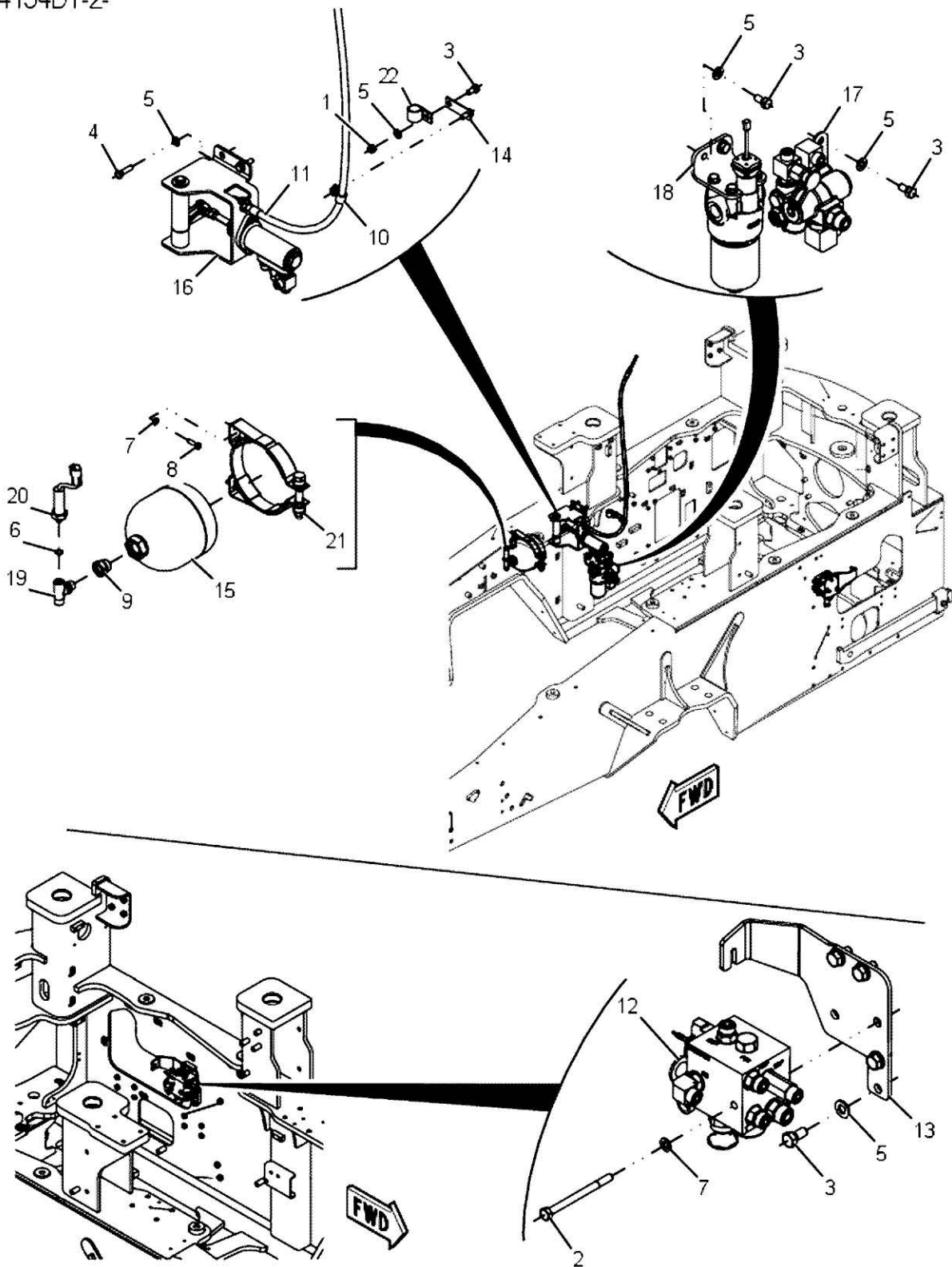

574154D1 - BRAKE GROUP - HYDRAULIC CONTROL	06-0001
564667D1 - SERVICE BRAKE CONTROL ASSEMBLY	06-0002
574156D1 - BRAKE FILTER ASSEMBLY - BRAKE	06-0003
574155D1 - VALVE ASSEMBLY - VALVE-BRAKE CHARGE	06-0004
513874D1 - PARK BRAKE VALVE GROUP	06-0005
516884D1 - PARK BRAKE VALVE ASSEMBLY	06-0006
559590D1 - PARK BRAKE VALVE ASSEMBLY	06-0007
599591D1 - 3 WAY SOLENOID VALVE	06-0008
538026D1 - ACCUMULATOR ASSEMBLY, SERVICE PARTS	06-0009
574157D1 - BRAKE LINES GROUP	06-0010
574157D1 - BRAKE LINES GROUP	06-0011
555521D1 - BRAKE GROUP, HYDRAULIC TRAILER BRAKE, WITH DRAWBAR	06-0012
566317D1 - BRAKE GROUP, HYDRAULIC TRAILER BRAKES - 3 POINT HITCH	06-0013
566317D1 - BRAKE GROUP, HYDRAULIC TRAILER BRAKES - 3 POINT HITCH	06-0014
536429D1 - HYDRAULIC TRAILER BRAKE VALVE ASSEMBLY	06-0015
523209D1 - CASE DRAIN COMPLETING ARRANGEMENT - WITH HYDRAULIC TRAILER BRAKES	06-0016
571189D1 - COMPLETING ARRANGEMENT, WITHOUT HYDRAULIC TRAILER BRAKE	06-0017

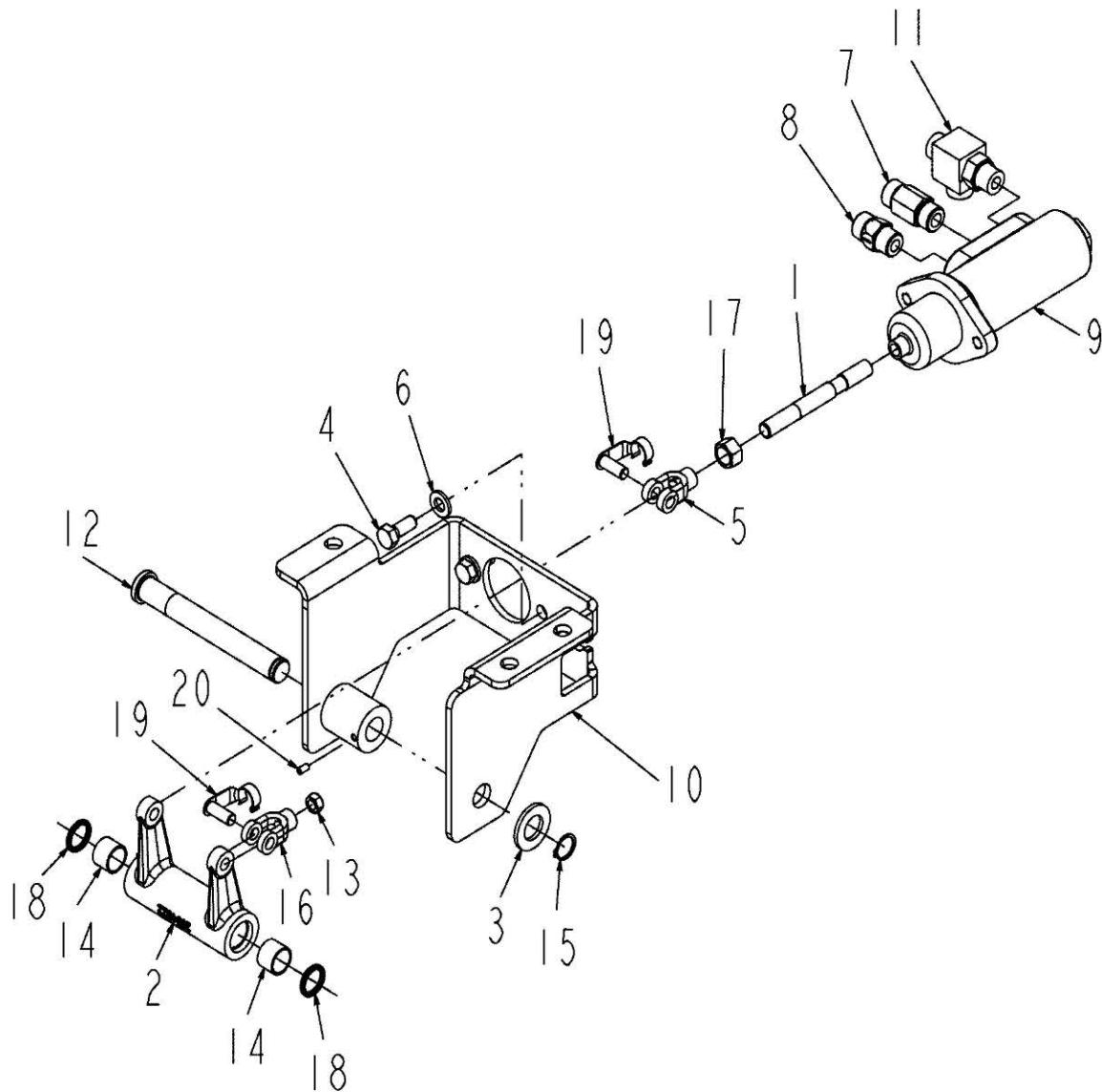
574154D1-2-



574154D1 - BRAKE GROUP - HYDRAULIC CONTROL

ITEM	PART NUMBER	QTY	DESCRIPTION COMMENTS	TECHNICAL SPECIFICATION
1	7774664	2	HEX NUT	M10 X 1.5
2	400028X1	2	HEXAGONAL HEAD BOLT	M8 X 1.25 X 100MM, CL10.9
3	400040X1	11	HEXAGONAL HEAD BOLT	M10 X 1.5 X 20MM, CL10.9
4	400059X1	3	HEXAGONAL HEAD BOLT	M10 X 1.5 X 35MM, CL10.9
5	400287X1	14	FLAT WASHER	11MM X 21MM X 2.5MM
6	400318X1	1	O-RING	11.89MM ID X 1.98MM
7	400339X1	4	FLAT WASHER	9MM X 16MM X 2MM
8	400341X1	2	HEXAGONAL HEAD BOLT	M8 X 1.25 X 25MM
9	400636X1	1	ADAPTER FITTING	-12 STOR X -8 PORT
	400416X1	1	O-RING	23.47MM ID X 2.95MM
10	400702X1	1	P-CLIP	15.8MM ID
11	500447D1	1	CABLE BRAKE	
12	NS	1	NON-SERVICEABLE PART SEE PAGE 06-0005	
13	516925D1	1	BRACKET	
14	517465D1	1	EXTENSION PLATE	
15	538056D1	1	ACCUMULATOR	ASM
16	NS	1	NON-SERVICEABLE PART SEE PAGE 06-0002	
17	NS	1	NON-SERVICEABLE PART SEE PAGE 06-0004	
18	NS	1	NON-SERVICEABLE PART SEE PAGE 06-0003	
19	CH172-5761	1	TEE FITTING	6 STOR X 8 STOR X 8 ORFS
	CH3K-0360	1	O-RING	16.36MM ID X 2.21MM
	CH6V-8398	1	O-RING	16.03MM OD X 1.78MM
20	CH175-3244	1	PRESSURE SWITCH ACTUATION PRESSURE 10700 KPA MAX DEACTUATION PRESSURE 8423 TO 9497	17KPA
21	CH180-1120	1	BAND CLAMP	
22	CH4S-1962	1	P-CLIP	25.4MM ID

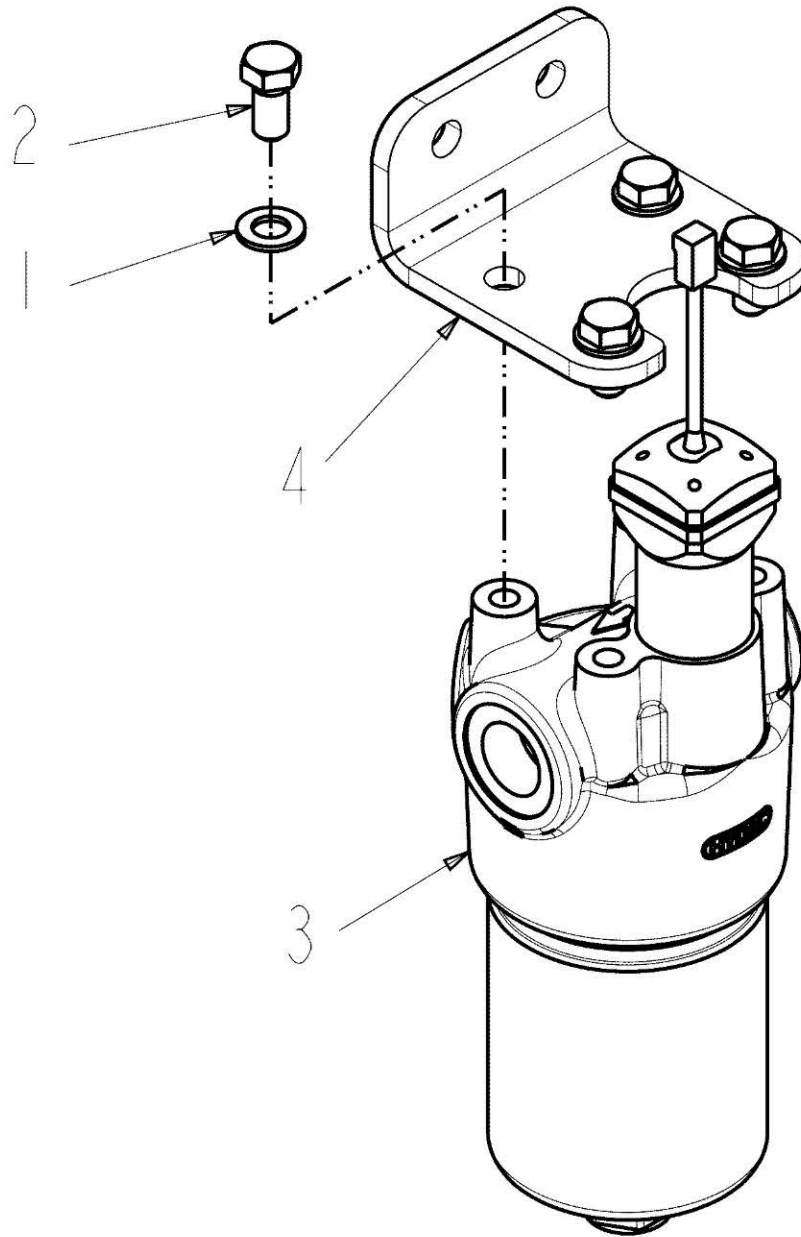
564667D1-3-AA756-



564667D1 - SERVICE BRAKE CONTROL ASSEMBLY

ITEM	PART NUMBER	QTY	DESCRIPTION COMMENTS	TECHNICAL SPECIFICATION
1	184-5352	1	STEM	
2	200-4322	1	LEVER	
3	AG604203	1	FLAT WASHER	3/4", GR8
4	400039X1	2	HEXAGONAL HEAD BOLT	M10 X 1.5 X 25MM, CL10.9
5	400117X1	1	END ROD	1/2"-20
6	400287X1	2	FLAT WASHER	11MM X 21MM X 2.5MM
7	400640X1	1	CONNECTOR	8 STOR X -8 ORFS
	CH3K-0360	1	O-RING	16.36MM ID X 2.21MM
	CH6V-8398		O-RING	16.03MM OD X 1.78MM
8	401038X1	1	VALVE CHECK	
	CH3K-0360	1	O-RING	16.36MM ID X 2.21MM
	CH6V-8398	1	O-RING	16.03MM OD X 1.78MM
9	522479D1	1	BRAKE VALVE	
	524193D1	1	REPAIR KIT BRAKE VALVE	
10	564114D3	1	BRAKE SUPPORT	
11	CH148-8428	1	TEE FITTING TEE FITTING	06 ORFS
	CH6V-8398	2	O-RING	16.03MM OD X 1.78MM
	CH3K-0360	1	O-RING	16.36MM ID X 2.21MM
12	CH184-5339	1	ROD	19.02MM OD X 152.6MM
13	CH1B-4202	1	HEX NUT	5/16"-24
14	CH200-4384	2	BEARING	
15	CH2J-6356	1	RETAINING RING	17.8MM ID X 1.07MM
16	CH4J-2701	1	END ROD	
17	CH7X-3374	1	HEX NUT	1/2"-20
18	CH8F-7702	2	SEAL	
19	CH8T-8932	2	PIN	9.40MM OD
20	CH8T-9102	1	SETSCREW	M5 X 0.8 X 10MM

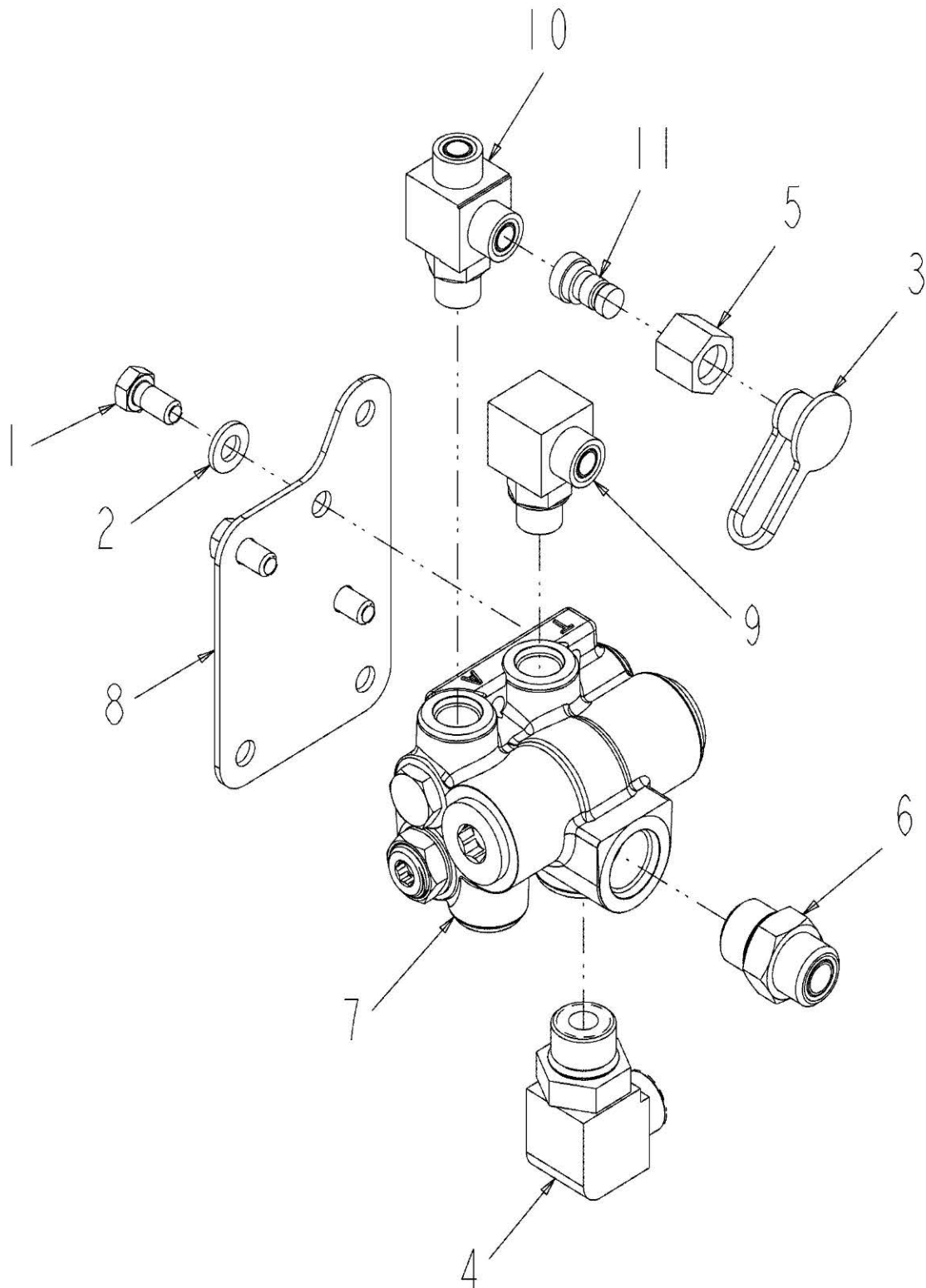
574156D1-2-AA756-



574156D1 - BRAKE FILTER ASSEMBLY - BRAKE

ITEM	PART NUMBER	QTY	DESCRIPTION COMMENTS	TECHNICAL SPECIFICATION
1	AG550981	4	FLAT WASHER	3/8"
2	400153X1	4	HEXAGONAL HEAD BOLT	3/8"-16 X 19.05MM,CL10.9
3	512864D1	1	HYDRAULIC FILTER ASSEMBLY	3000PSI
	513355D1	1	FILTER ELEMENT	
	513344D1	1	SENSOR DIFFERENTIAL PRESSURE	
	513921D1	1	SEAL KIT	
4	565936D1	1	BRACKET	

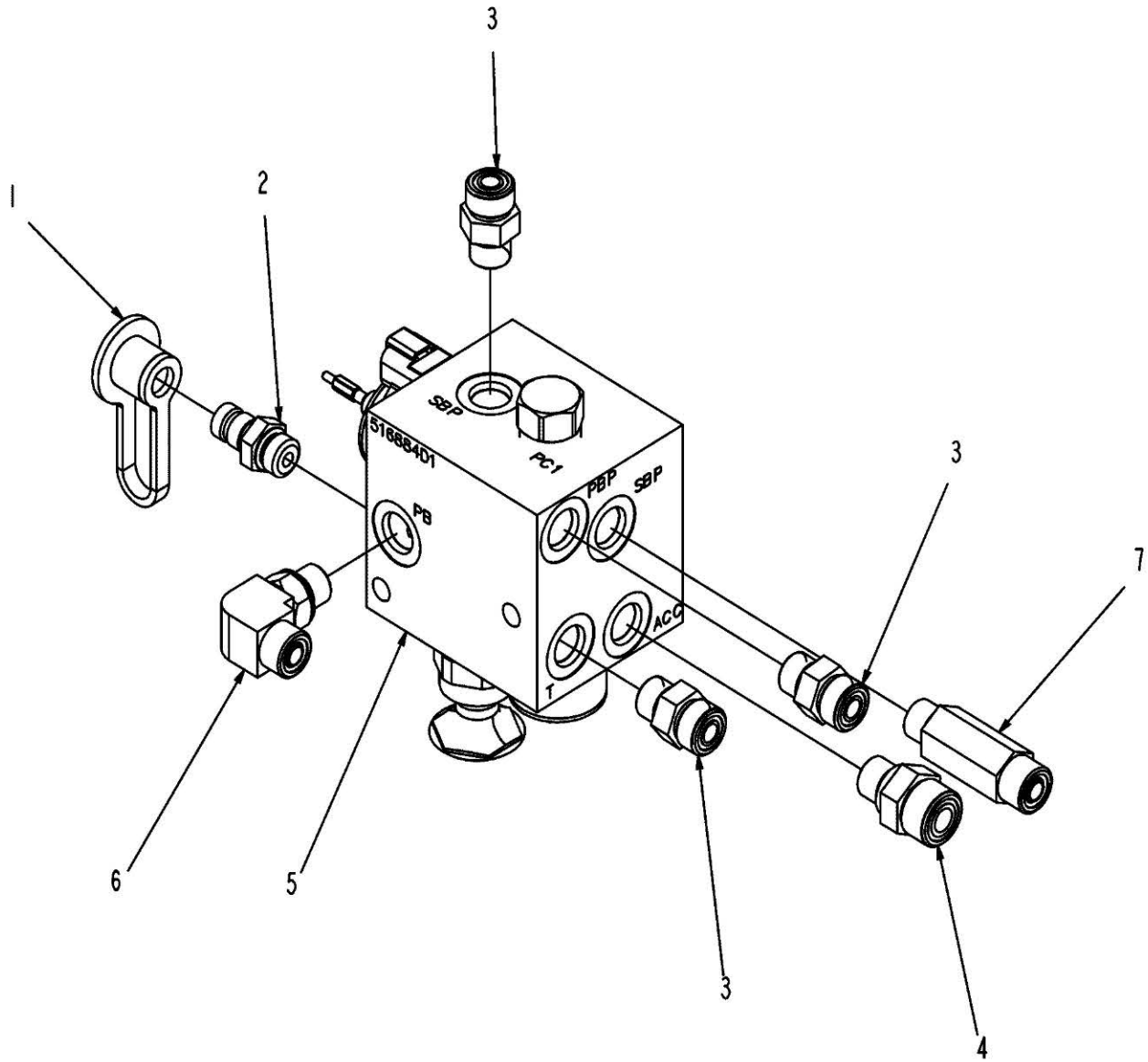
574155D1-2-AA756-



574155D1 - VALVE ASSEMBLY - VALVE-BRAKE CHARGE

ITEM	PART NUMBER	QTY	DESCRIPTION COMMENTS	TECHNICAL SPECIFICATION
1	400040X1	3	HEXAGONAL HEAD BOLT	M10 X 1.5 X 20MM, CL10.9
2	400287X1	3	FLAT WASHER	11MM X 21MM X 2.5MM
3	400323X1	1	DUST CAP	12.6MM OD
4	400410X1	1	ELBOW FITTING	-12 STOR X -10 ORFS
	400322X1	1	O-RING	19.28MM OD X 1.78MM
	400416X1	1	O-RING	23.47MM ID X 2.95MM
5	400607X1	1	HEX NUT	13/16"-16, ORFS
6	401816X1	1	ADAPTER FITTING	1"-14 ORFS X 1-1/16-12 STOR
	400322X1	1	O-RING	19.28MM OD X 1.78MM
	400416X1	1	O-RING	23.47MM ID X 2.95MM
7	512878D1	1	VALVE	
8	565935D1	1	VALVE BRACKET	
9	CH148-8364	1	ELBOW FITTING	3/4"-16 X 13/16"-16
	CH6V-8398	1	O-RING	16.03MM OD X 1.78MM
	CH3K-0360	1	O-RING	16.36MM ID X 2.21MM
10	CH148-8428	1	TEE FITTING	06 ORFS
	CH3K-0360	1	O-RING	16.36MM ID X 2.21MM
	CH6V-8398	2	O-RING	16.03MM OD X 1.78MM
11	CH8C-6416	1	QUICK COUPLER NIPPLE	-4 X O-RING

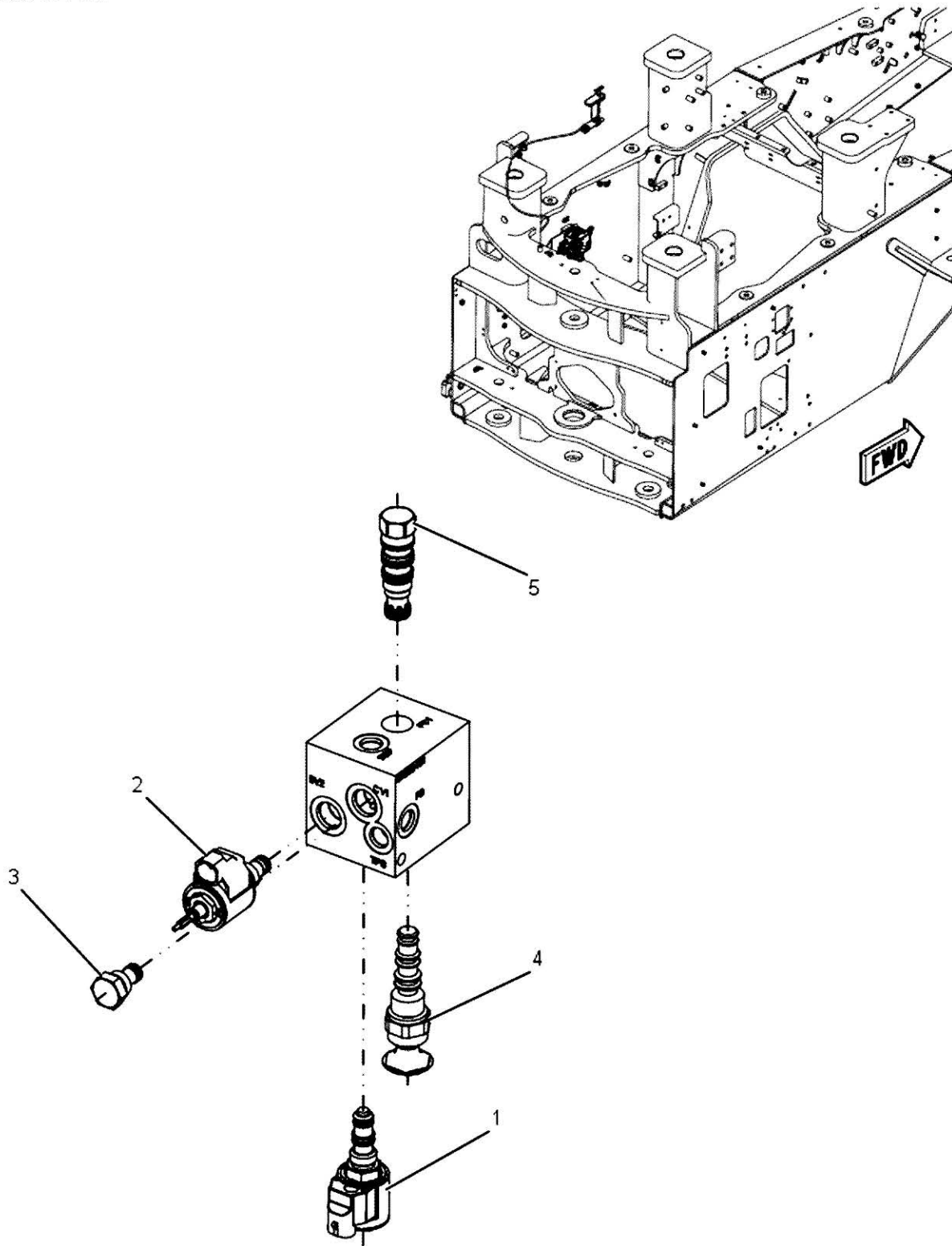
513874D1-3-Y069



513874D1 - PARK BRAKE VALVE GROUP

ITEM	PART NUMBER	QTY	DESCRIPTION COMMENTS	TECHNICAL SPECIFICATION
1	400323X1	1	DUST CAP RUBBER	12.6MM OD
2	400324X1	1	QUICK COUPLER NIPPLE TEST	9/16"-18, -6 STOR
	400325X1	1	QUICK DISCONNECT COUPLING	9/16"-18
	400318X1	1	O-RING	11.89MM ID X 1.98MM
3	400367X1	3	CONNECTOR FITTING	-6 STOR X -6 ORFS
	400318X1	1	O-RING	11.89MM ID X 1.98MM
	400378X1	1	O-RING	12.83MM OD X 1.78MM
4	400428X1	1	CONNECTOR FITTING STRAIGHT	-6 STR X -8 STOR
	400318X1	1	O-RING	11.89MM ID X 1.98MM
	CH6V-8398	1	O-RING	16.03MM OD X 1.78MM
5	599590D1	1	BRAKE VALVE PARK BRAKE SEE PAGE 06-0007 SERIAL NUMBER BREAK: C0955HGNSG1004 C0965AGNTG1003 C0975CGNUG1002	PARK
6	CH148-8378	1	ELBOW FITTING ORFS	9/16"-18 X 11/16"-16
	400378X1	1	O-RING	12.83MM OD X 1.78MM
	400318X1	1	O-RING	11.89MM ID X 1.98MM
7	CH164-9869	1	CONNECTOR FITTING	9/16"-18 X 11/16"-16
	400318X1	1	O-RING	11.89MM ID X 1.98MM
	400378X1	1	O-RING	12.83MM OD X 1.78MM

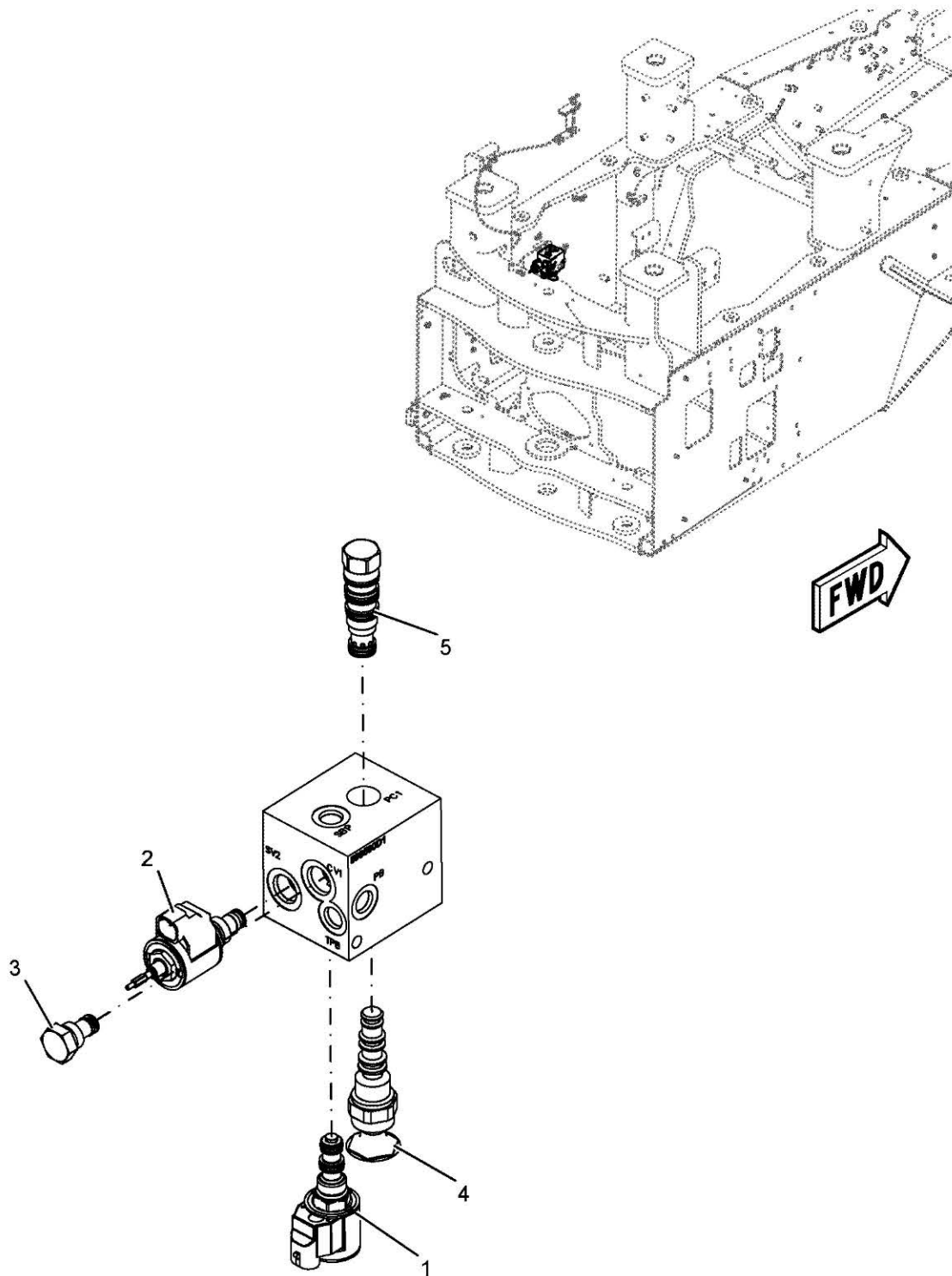
516884d1-01-



516884D1 - PARK BRAKE VALVE ASSEMBLY

ITEM	PART NUMBER	QTY	DESCRIPTION COMMENTS	TECHNICAL SPECIFICATION
1	599591D1	1	SOLENOID VALVE 3 WAY, 2 POSTION SEE PAGE 06-0008	3-WAY
	502459D1	1	HEX NUT	1/2"-20
	AG121491	1	SEAL KIT	
	514476D1	1	COIL	
2	514480D1	1	SOLENOID VALVE 2 WAY NORMALLY CLOSED	
	CH120-9051	1	SEAL KIT	
	502459D1	1	HEX NUT	1/2"-20
	71442740	1	COIL	E 08 SIZE ZENER DT04
3	502463D1	1	CHECK VALVE PARKING BRAKE	
	CH120-9051	1	SEAL KIT	
4	502460D1	1	CARTRIDGE VALVE MANUALLY OPERATED	
	502461D1	1	SEAL KIT	
5	516885D1	1	VALVE POPPET, BALANCED	
	516886D1	1	SEAL KIT	

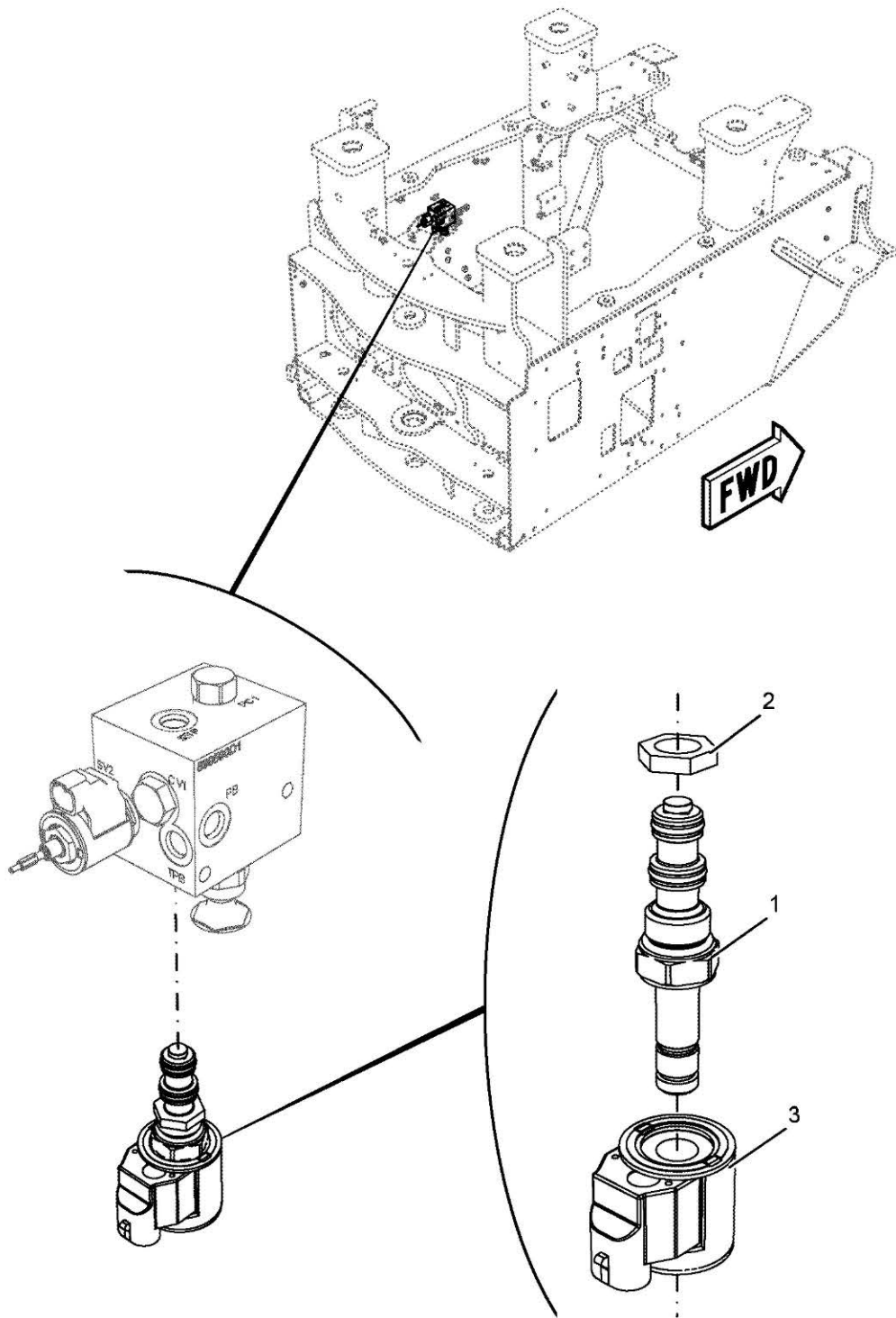
599590D1-1-01



559590D1 - PARK BRAKE VALVE ASSEMBLY

ITEM	PART NUMBER	QTY	DESCRIPTION COMMENTS	TECHNICAL SPECIFICATION
1	599591D1	1	SOLENOID VALVE SEE PAGE 06-0008	3-WAY
	AG121491	1	SEAL KIT	
	502459D1	1	HEX NUT	1/2"-20
	514476D1	1	COIL	
2	514480D1	1	SOLENOID VALVE TWO WAY NORMALLY CLOSED	
	CH120-9051	1	SEAL KIT	
	502459D1	1	HEX NUT	1/2"-20
	71442740	1	COIL	E 08 SIZE ZENER DT04
3	502463D1	1	CHECK VALVE PARKING BRAKE	
	CH120-9051	1	SEAL KIT	
4	502460D1	1	CARTRIDGE VALVE MANUALLY OPERATED	
	502461D1	1	SEAL KIT	
5	516885D1	1	VALVE POPPET, BALANCED	
	516886D1	1	SEAL KIT	

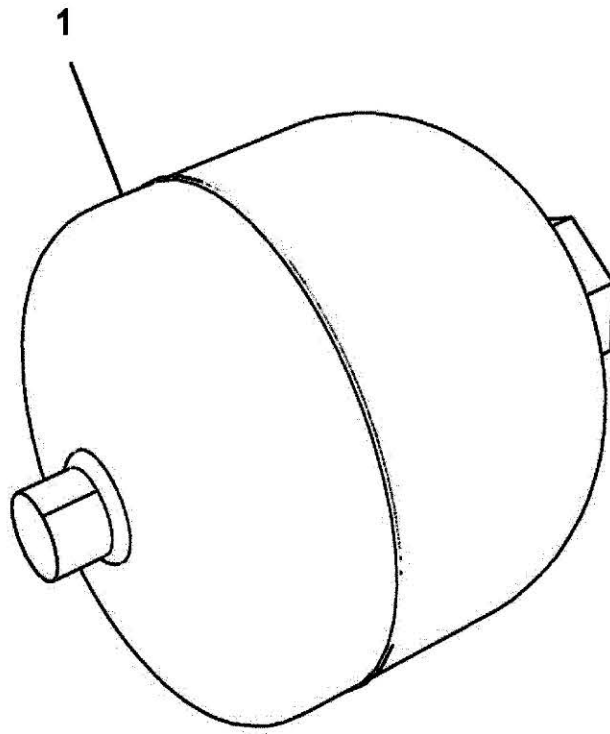
599591D1-1-01



599591D1 - 3 WAY SOLENOID VALVE

ITEM	PART NUMBER	QTY	DESCRIPTION COMMENTS	TECHNICAL SPECIFICATION
1	AG121491	1	SEAL KIT	
2	502459D1	1	HEX NUT	1/2"-20
3	514476D1	1	COIL	

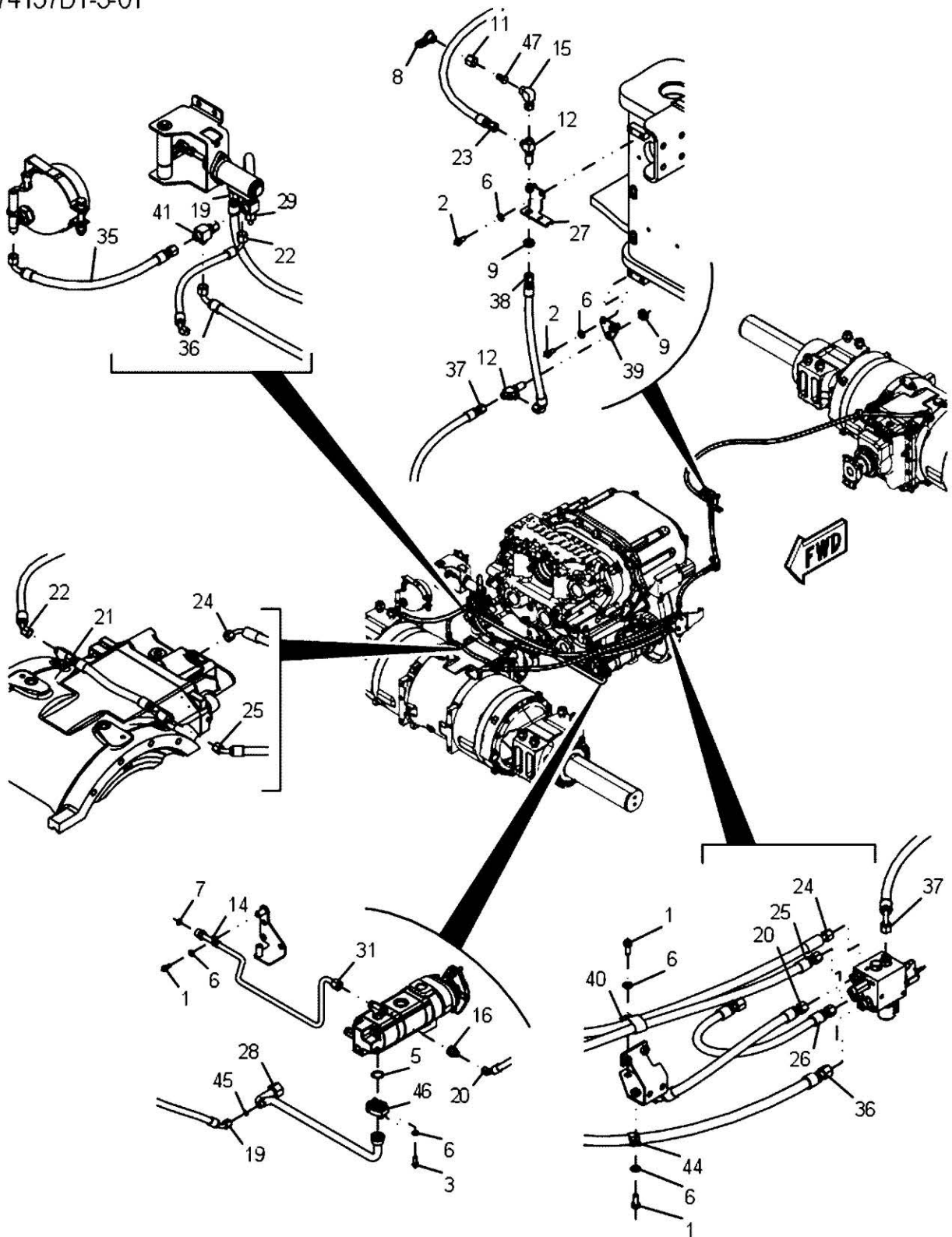
538026D1-01-WO68



538026D1 - ACCUMULATOR ASSEMBLY, SERVICE PARTS

ITEM	PART NUMBER	QTY	DESCRIPTION COMMENTS	TECHNICAL SPECIFICATION
	549693D1	1	WARNING DECAL	
	502105D1	1	TAG SHIPPING	
1	538056D1	1	ACCUMULATOR	ASM

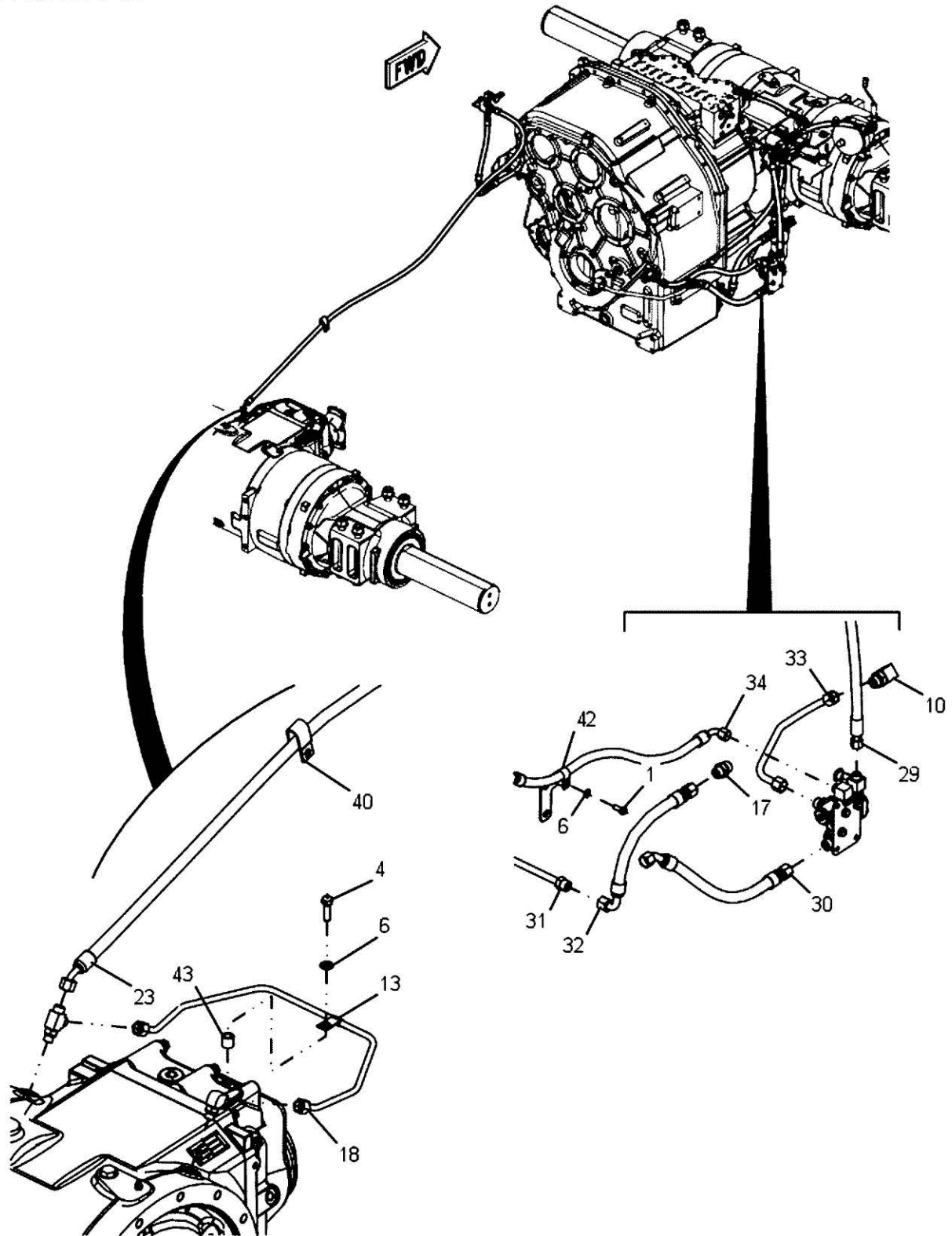
574157D1-3-01



574157D1 - BRAKE LINES GROUP

ITEM	PART NUMBER	QTY	DESCRIPTION COMMENTS	TECHNICAL SPECIFICATION
1	400039X1	4	HEXAGONAL HEAD BOLT	M10 X 1.5 X 25MM, CL10.9
2	400040X1	4	HEXAGONAL HEAD BOLT	M10 X 1.5 X 20MM, CL10.9
3	400058X1	4	HEXAGONAL HEAD BOLT	M10 X 1.5 X 30MM
5	400100X1	1	O-RING	32.92MM ID X 3.53MM
6	400287X1	13	FLAT WASHER	11MM X 21MM X 2.5MM
7	400322X1	1	O-RING	19.28MM OD X 1.78MM
8	400323X1	1	DUST CAP	12.6MM OD
9	400347X1	2	HEX NUT	11/16"-16
11	400607X1	1	HEX NUT	13/16"-16, ORFS
12	400618X1	2	BULKHEAD TEE FITTING	3X 11/16"-16
	400378X1	1	O-RING	12.83MM OD X 1.78MM
14	400702X1	1	P-CLIP	15.8MM ID
15	400825X1	1	ELBOW FITTING	-8 ORFS
	CH6V-8398	1	O-RING	16.03MM OD X 1.78MM
16	401400X1	1	REDUCER	
	400378X1	1	O-RING	12.83MM OD X 1.78MM
19	512903D1	1	HOSE	
20	513572D1	1	HOSE	
21	513868D1	1	HOSE	
22	513892D1	1	HOSE	
23	513893D1	1	HOSE	
24	564634D1	1	BRAKE LINE	9.52MM X 1169MM
25	564635D1	1	BRAKE LINE	9.52MM X 1130MM
26	564636D1	1	BRAKE LINE	9.52MM X 580MM
27	565830D1	1	BRACKET	
28	566109D1	1	SUCTION HOSE	22.1MM X 583.7MM
29	573207D1	1	SUPPLY HOSE	12.7MM X 597MM
31	574158D1	1	SUPPLY HOSE	12.58MM X 741MM
35	574376D1	1	HOSE	12.7MM X 503MM
36	574377D1	1	SUPPLY HOSE	12.7MM X 1415MM
37	578047D1	1	HYDRAULIC HOSE	9.52MM X 444MM
38	578048D1	1	HYDRAULIC HOSE	9.52MM X 430MM
39	578049D1	1	BULKHEAD BRACKET	
40	CH100-4336	2	P-CLIP	20.62MM ID, DOUBLE
41	CH148-8444	1	SWIVEL TEE FITTING	3X 13/16"-16
	CH6V-8398	1	O-RING	16.03MM OD X 1.78MM
44	CH6D-4244	1	P-CLIP	
45	CH6V-8398	1	O-RING	16.03MM OD X 1.78MM
46	CH8C-3206	2	FLANGE	
47	CH8C-6416	1	QUICK COUPLER NIPPLE	-4 X O-RING

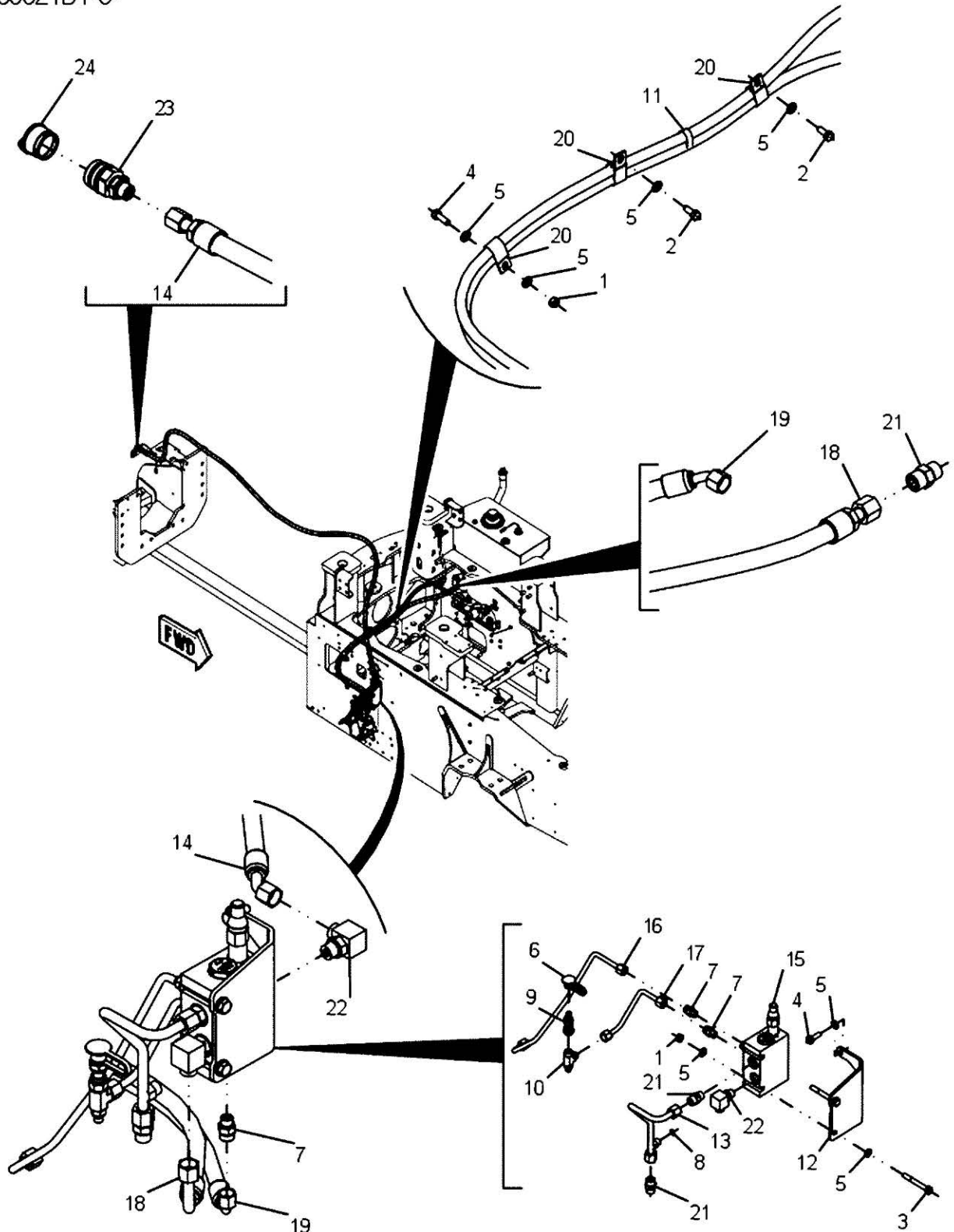
574157D1-3-02



574157D1 - BRAKE LINES GROUP

ITEM	PART NUMBER	QTY	DESCRIPTION COMMENTS	TECHNICAL SPECIFICATION
1	400039X1	4	HEXAGONAL HEAD BOLT	M10 X 1.5 X 25MM, CL10.9
4	400059X1	1	HEXAGONAL HEAD BOLT	M10 X 1.5 X 35MM, CL10.9
6	400287X1	13	FLAT WASHER	11MM X 21MM X 2.5MM
10	400410X1	1	ELBOW FITTING	-12 STOR X -10 ORFS
	400322X1	1	O-RING	19.28MM OD X 1.78MM
	400416X1	1	O-RING	23.47MM ID X 2.95MM
13	400622X1	1	CLIP	
17	401816X1	1	ADAPTER FITTING	1"-14 ORFS X 1-1/16-12 STOR
	400322X1	1	O-RING	19.28MM OD X 1.78MM
	400416X1	1	O-RING	23.47MM ID X 2.95MM
18	509026D1	1	TUBE	
23	513893D1	1	HOSE	
29	573207D1	1	SUPPLY HOSE	12.7MM X 597MM
30	574130D1	1	RETURN HOSE	15.9MM X 490MM
31	574158D1	1	SUPPLY HOSE	12.58MM X 741MM
32	574159D1	1	SUPPLY HOSE	15.9MM X 406MM
33	574160D1	1	SUPPLY HOSE	12.58MM X 228.5MM
34	574161D1	1	RETURN HOSE	12.7MM X 741MM
40	CH100-4336	2	P-CLIP	20.62MM ID, DOUBLE
42	CH1S-0994	1	CLIP	20.64MM ID
43	CH2B-0941	1	SPACER	

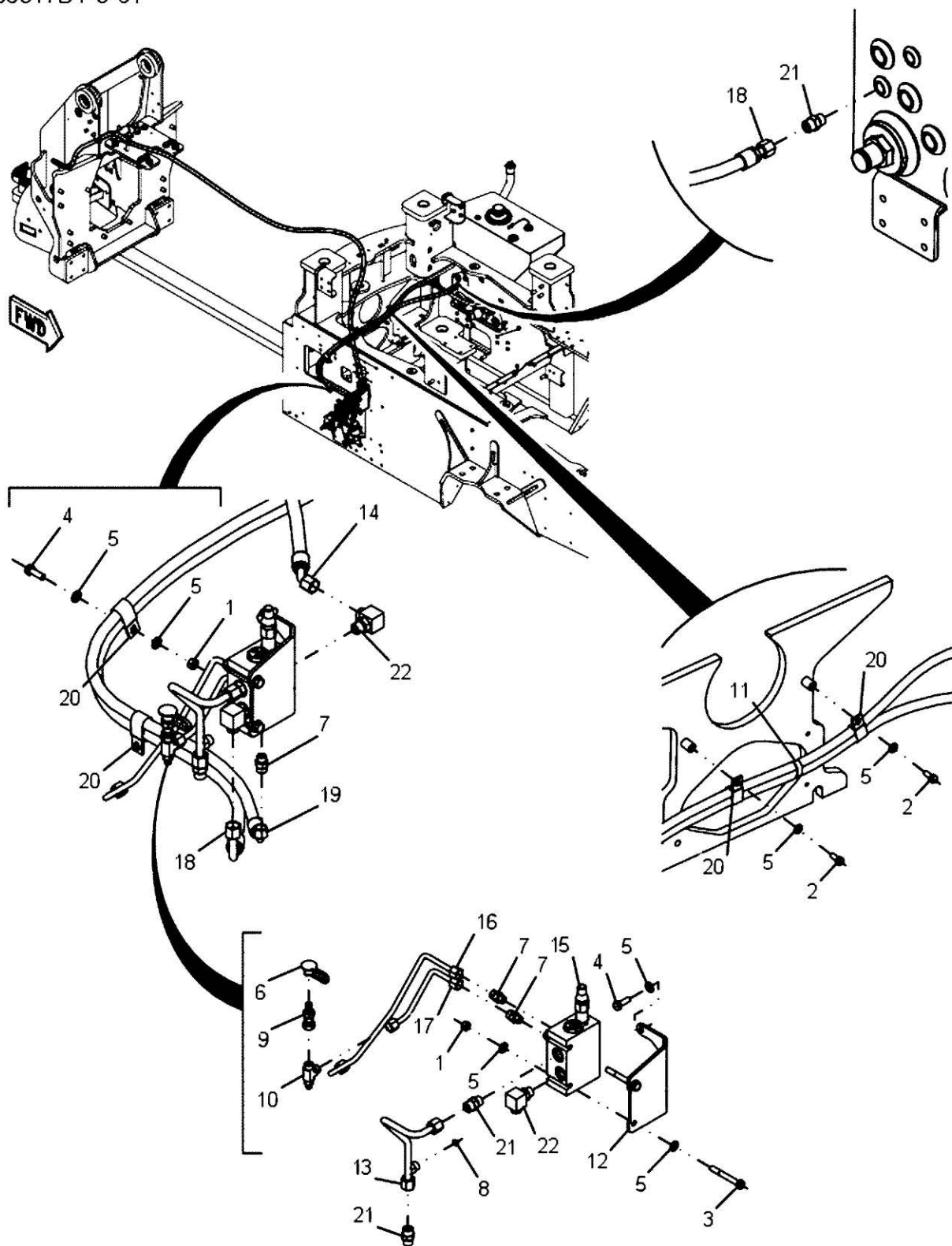
555521D1-3



55521D1 - BRAKE GROUP, HYDRAULIC TRAILER BRAKE, WITH DRAWBAR

ITEM	PART NUMBER	QTY	DESCRIPTION COMMENTS	TECHNICAL SPECIFICATION
1	7774664	3	HEX NUT	M10 X 1.5
2	400039X1	2	HEXAGONAL HEAD BOLT	M10 X 1.5 X 25MM, CL10.9
3	400044X1	2	HEXAGONAL HEAD BOLT	M10 X 1.5 X 80MM, CL10.9
4	400058X1	3	HEXAGONAL HEAD BOLT	M10 X 1.5 X 30MM
5	400287X1	10	FLAT WASHER	11MM X 21MM X 2.5MM
6	400323X1	1	DUST CAP	12.6MM OD
7	400367X1	3	CONNECTOR FITTING	-6 STOR X -6 ORFS
	400318X1	1	O-RING	11.89MM ID X 1.98MM
	400378X1	1	O-RING	12.83MM OD X 1.78MM
8	400378X1	1	O-RING	12.83MM OD X 1.78MM
9	401024X1	1	PRESSURE TEST PORT FITTING	11/16-16 X QUICK DISCONNECT
10	401297X1	1	TEE FITTING	1/4" STOR X 3/8" ORB
	400361X1	1	O-RING	8.92MM ID X 1.83MM
	400378X1	2	O-RING	12.83MM OD X 1.78MM
11	402295X1	2	CABLE TIE	390MM X 12.7MM
12	523074D1	1	VALVE BRACKET	
13	523077D1	1	TUBE	
14	523207D1	1	HOSE	
15	536429D1	1	VALVE SEE PAGE 06-0015	ASM-TRAILER BRAKE, HY
16	566319D1	1	BRAKE HOSE	7.04MM X 243.3MM
17	566320D1	1	HOSE	7.04MM X 138.7MM
18	566486D1	1	BRAKE HOSE	12.7MM X 1961MM
19	578050D1	1	HYDRAULIC HOSE	9.52MM X 1777MM
20	CH100-4336	4	P-CLIP	20.62MM ID, DOUBLE
21	CH148-8340	3	CONNECTOR	08 ORFS X 08 STOR
	CH3K-0360	1	O-RING	16.36MM ID X 2.21MM
	CH6V-8398	1	O-RING	16.03MM OD X 1.78MM
22	CH148-8364	2	ELBOW FITTING	3/4"-16 X 13/16"-16
	CH6V-8398	1	O-RING	16.03MM OD X 1.78MM
	CH3K-0360	1	O-RING	16.36MM ID X 2.21MM
23	CH185-3959	1	QUICK CONNECT COUPLER	12 STOR ML
24	CH223-9254	1	DUST CAP	

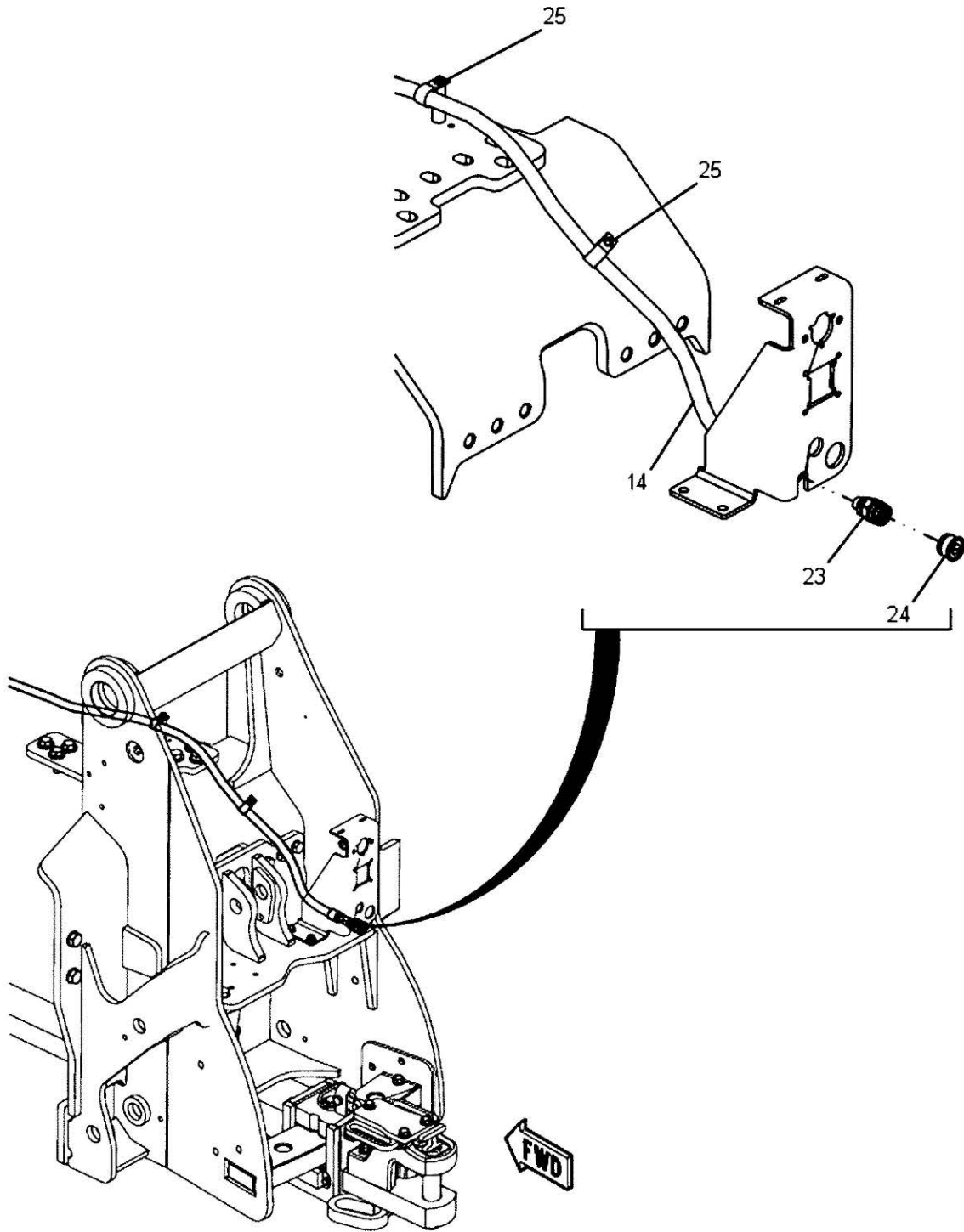
566317D1-3-01



566317D1 - BRAKE GROUP, HYDRAULIC TRAILER BRAKES - 3 POINT HITCH

ITEM	PART NUMBER	QTY	DESCRIPTION COMMENTS	TECHNICAL SPECIFICATION
1	7774664	3	HEX NUT	M10 X 1.5
2	400039X1	2	HEXAGONAL HEAD BOLT	M10 X 1.5 X 25MM, CL10.9
3	400044X1	2	HEXAGONAL HEAD BOLT	M10 X 1.5 X 80MM, CL10.9
4	400058X1	3	HEXAGONAL HEAD BOLT	M10 X 1.5 X 30MM
5	400287X1	10	FLAT WASHER	11MM X 21MM X 2.5MM
6	400323X1	1	DUST CAP	12.6MM OD
7	400367X1	3	CONNECTOR FITTING	-6 STOR X -6 ORFS
	400318X1	1	O-RING	11.89MM ID X 1.98MM
	400378X1	1	O-RING	12.83MM OD X 1.78MM
8	400378X1	1	O-RING	12.83MM OD X 1.78MM
9	401024X1	1	PRESSURE TEST PORT FITTING	11/16-16 X QUICK DISCONNECT
10	401297X1	1	TEE FITTING	1/4" STOR X 3/8" ORB
	400361X1	1	O-RING	8.92MM ID X 1.83MM
	400378X1	1	O-RING	12.83MM OD X 1.78MM
11	402295X1	2	CABLE TIE	390MM X 12.7MM
12	523074D1	1	VALVE BRACKET	
13	523077D1	1	TUBE	
14	523207D1	1	HOSE	
15	536429D1	1	VALVE SEE PAGE 06-0015	ASM-TRAILER BRAKE, HY
16	566319D1	1	BRAKE HOSE	7.04MM X 243.3MM
17	566320D1	1	HOSE	7.04MM X 138.7MM
18	566486D1	1	BRAKE HOSE	12.7MM X 1961MM
19	578050D1	1	HYDRAULIC HOSE	9.52MM X 1777MM
20	CH100-4336	4	P-CLIP	20.62MM ID, DOUBLE
21	CH148-8340	3	CONNECTOR	08 ORFS X 08 STOR
	CH3K-0360	1	O-RING	16.36MM ID X 2.21MM
	CH6V-8398	1	O-RING	16.03MM OD X 1.78MM
22	CH148-8364	2	ELBOW FITTING	3/4"-16 X 13/16"-16
	CH6V-8398	1	O-RING	16.03MM OD X 1.78MM
	CH3K-0360	1	O-RING	16.36MM ID X 2.21MM

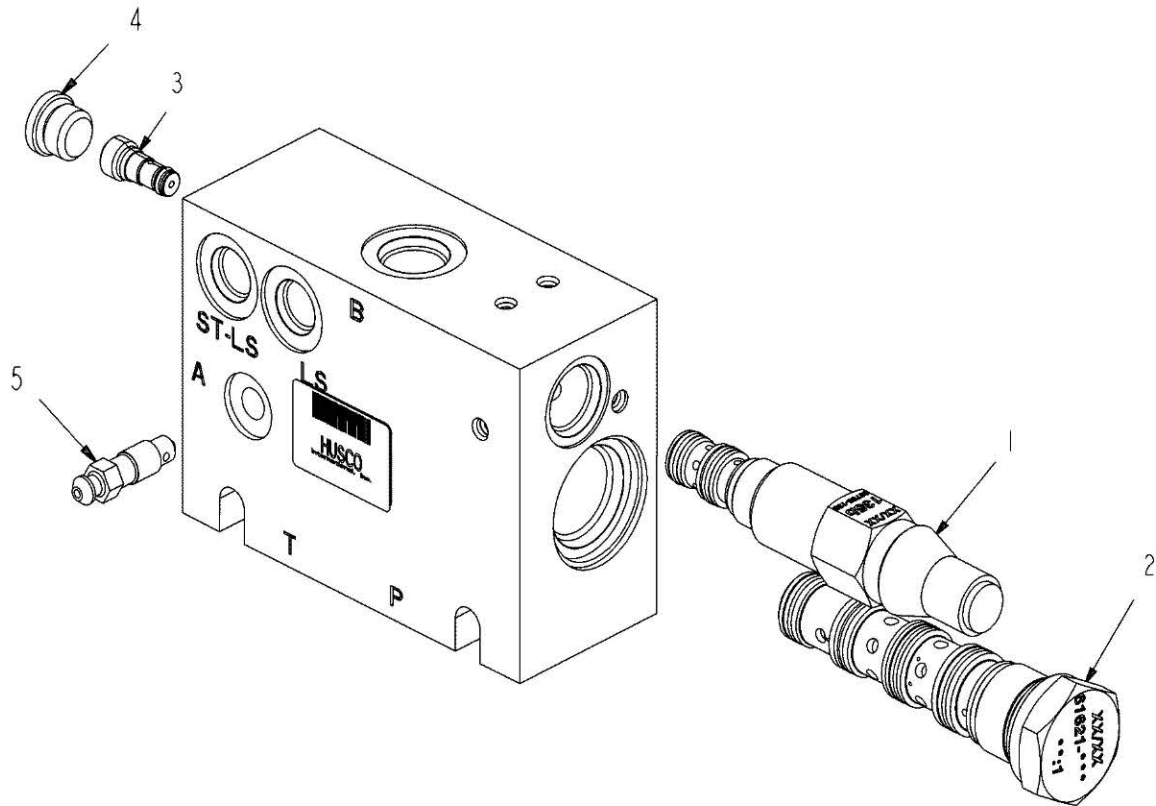
566317D1-3-02



566317D1 - BRAKE GROUP, HYDRAULIC TRAILER BRAKES - 3 POINT HITCH

ITEM	PART NUMBER	QTY	DESCRIPTION COMMENTS	TECHNICAL SPECIFICATION
14	523207D1	1	HOSE	
23	CH185-3959	1	QUICK CONNECT COUPLER	12 STOR ML
24	CH223-9254	1	DUST CAP	
25	CH6D-4244	2	P-CLIP	

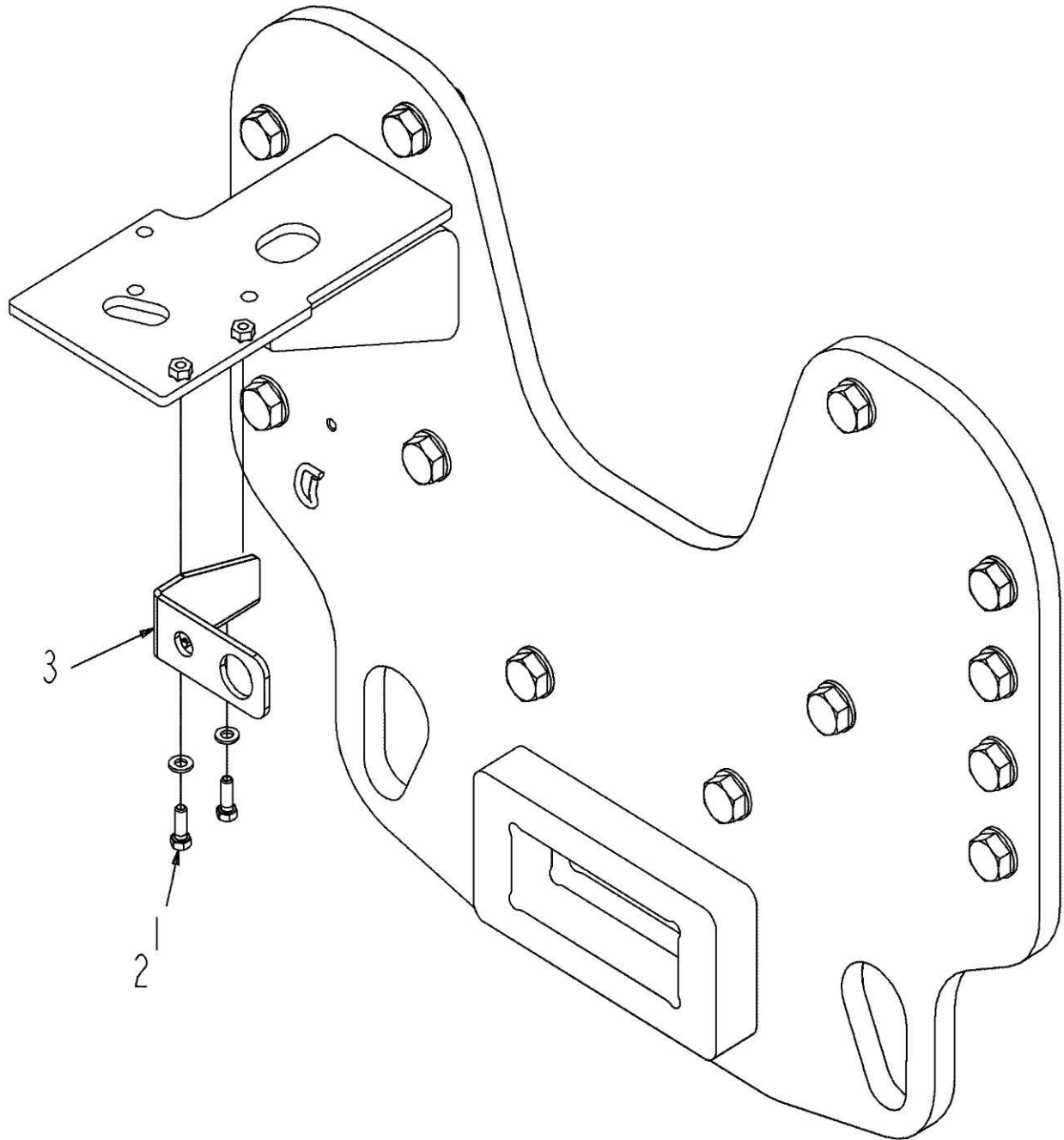
536429D1-01-V935



536429D1 - HYDRAULIC TRAILER BRAKE VALVE ASSEMBLY

ITEM	PART NUMBER	QTY	DESCRIPTION COMMENTS	TECHNICAL SPECIFICATION
1	527330D1	1	SEQUENCE VALVE SEQUENCE VALVE	
	527362D1	1	SEAL KIT	
2	527321D1	1	CARTRIDGE VALVE BRAKE	
	532037D1	1	SEAL KIT	
3	527341D1		VALVE KIT SHUTTLE	
4	CH162-0177		PLUG	9/16"-18
	400318X1	1	O-RING	11.89MM ID X 1.98MM
5	CH9F-2167		BLEED SCREW	3/8"-24

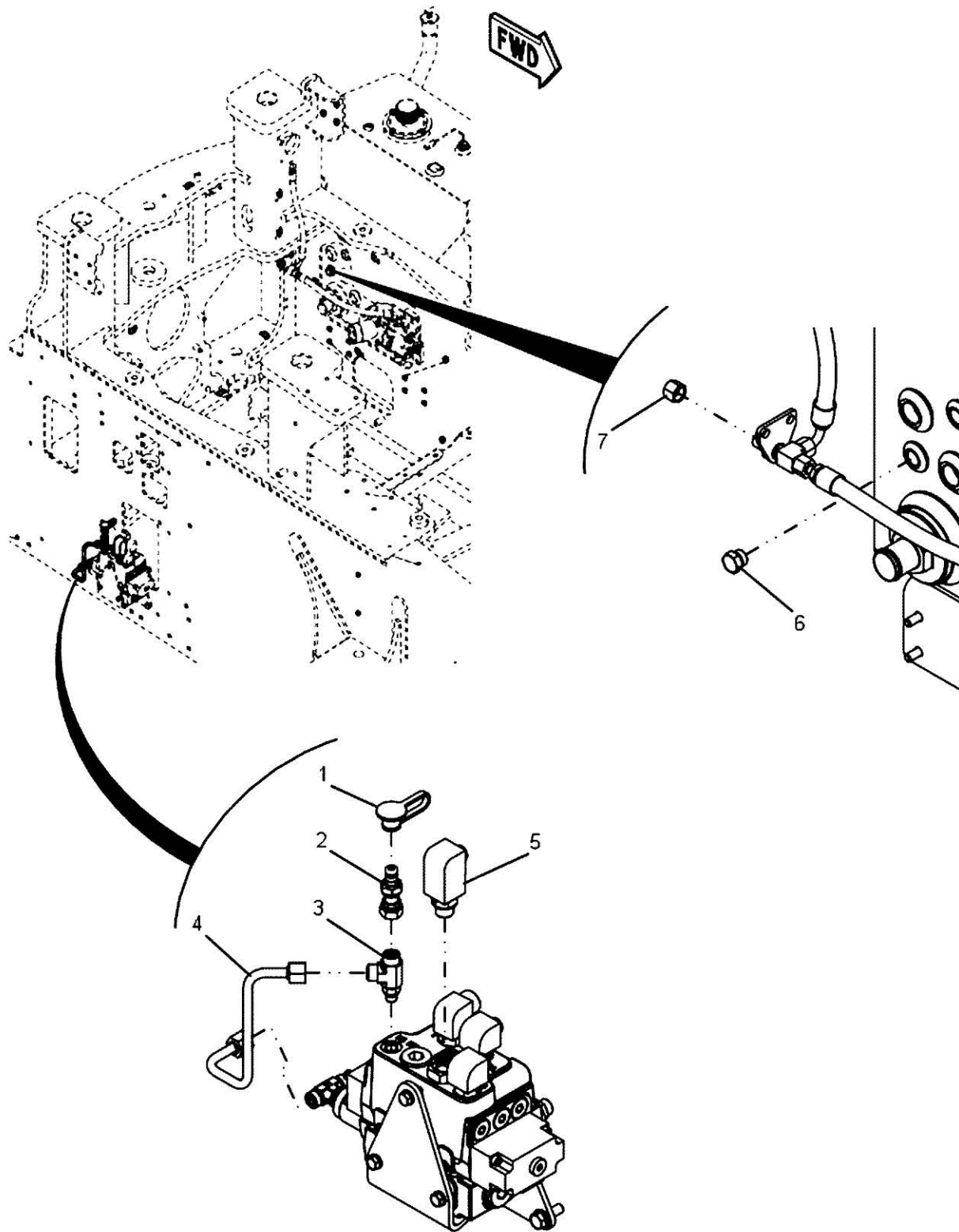
523209D1-01-T712



523209D1 - CASE DRAIN COMPLETING ARRANGEMENT - WITH HYDRAULIC TRAILER BRAKES

ITEM	PART NUMBER	QTY	DESCRIPTION COMMENTS	TECHNICAL SPECIFICATION
1	400058X1	2	HEXAGONAL HEAD BOLT	M10 X 1.5 X 30MM
2	400287X1	2	FLAT WASHER	11MM X 21MM X 2.5MM
3	523210D1	1	BRACKET	

571189D1-3



571189D1 - COMPLETING ARRANGEMENT, WITHOUT HYDRAULIC TRAILER BRAKE

ITEM	PART NUMBER	QTY	DESCRIPTION COMMENTS	TECHNICAL SPECIFICATION
1	400323X1	1	DUST CAP	12.6MM OD
2	401024X1	1	PRESSURE TEST PORT FITTING	11/16-16 X QUICK DISCONNECT
3	401297X1	1	TEE FITTING	1/4" STOR X 3/8" ORB
	400361X1	1	O-RING	8.92MM ID X 1.83MM
	400378X1	1	O-RING	12.83MM OD X 1.78MM
4	571309D1	1	HOSE	7.04MM X 150.9MM
5	CH148-8383	1	ELBOW FITTING	-8 STOR X -6 ORFS
	CH3K-0360	1	O-RING	16.36MM ID X 2.21MM
	400378X1	1	O-RING	12.83MM OD X 1.78MM
6	CH148-8411	1	HEX HEAD PLUG	-8 STOR
7	CH6V-9829	1	CAP	11/16-16, ORFS